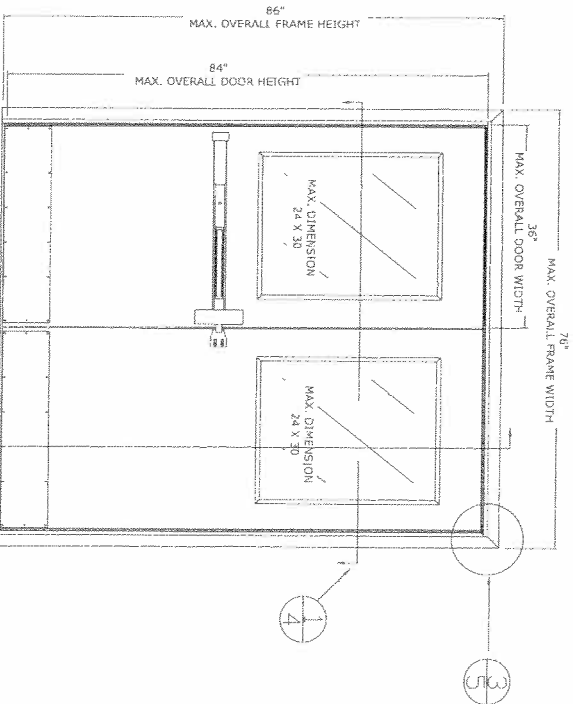


EXTERIOR VIEW  
FIBERGLASS PHARMACEUTICAL OUTSWING DOUBLE DOOR



INTERIOR VIEW  
FIBERGLASS PHARMACEUTICAL OUTSWING DOUBLE DOOR

PAGE #	DESCRIPTION
1	ELEVATIONS AND GENERAL NOTES
2	ANCHORING INSTALLATION & BILL OF MATERIALS
3	VERTICAL CROSS SECTIONS
4	HORIZONTAL CROSS SECTIONS
5	FRAME CORNER ASSEMBLY & HINGE PREP
6	FASTENER SCHEDULE
7	ACCESSORIES

DESIGN PRESSURE CAPACITY + 50 PSF / - 50 PSF
MAXIMUM
LARGE MISSILE IMPACT

- NOTE:
1. THE PRODUCT SHOWN HEREIN IS DESIGNATED AND MANUFACTURED TO COMPLY WITH THE 2007 FLORIDA BUILDING CODE (FBC) INCLUDING THE HIGH VELOCITY HURRICANE ZONE (HVHZ).
  2. BUCK AND MASONEY OPENING TO BE DESIGNED AND ANCHORED TO PROPERLY TRANSFER ALL LOADS TO STRUCTURE. BUCK AND MASONEY DRAWING IS THE RESPONSIBILITY OF THE ARCHITECT OR ENGINEER OF RECORD.
  3. SHIM AS REQUIRED AT EACH INSTALLATION ANCHOR, WITH LEAD BEARING SHIM, SHIM STACK 1/4".
  4. USE LATEX CALK FOR PERIMETER SEAL AROUND EXTERIOR OF DOORS.
  5. DDDR FRAME AND DDDR PANEL MATERIAL, FRP.
  6. SEAL HEAD, SILL AND JAMB CORNERS WITH SMALL JOINT SEAM SEALER.

7. PERIMETER FASTENERS SHALL BE AS LISTED AND SHOWN IN THESE DRAWINGS. EMBEDMENT DEPTH TO PLATE MATERIAL SHALL BE BEYOND ANY WALL BRESSING OR STUCCO.
8. DOORS AND FRAMES AS TESTED ARE LARGE AND SMALL IMPACT. SHUTTERS ARE NOT REQUIRED.
9. THIS DOOR DOES NOT MEET THE WATER REQUIREMENTS OF THE FLORIDA BUILDING CODE UNLESS PROTECTED BY A SUITABLE OVERHANG.

**CP10 MOLDED LITE STORM DOOR**

FOR FBC USE:

SCOTT WOLTERS  
FL PE# 62354  
WOLTERS ENGINEERING  
(COA# 27194)  
322 BUCHANAN #807  
HOLLYWOOD, FL 33018  
PH/FAX: (954) 921-5828

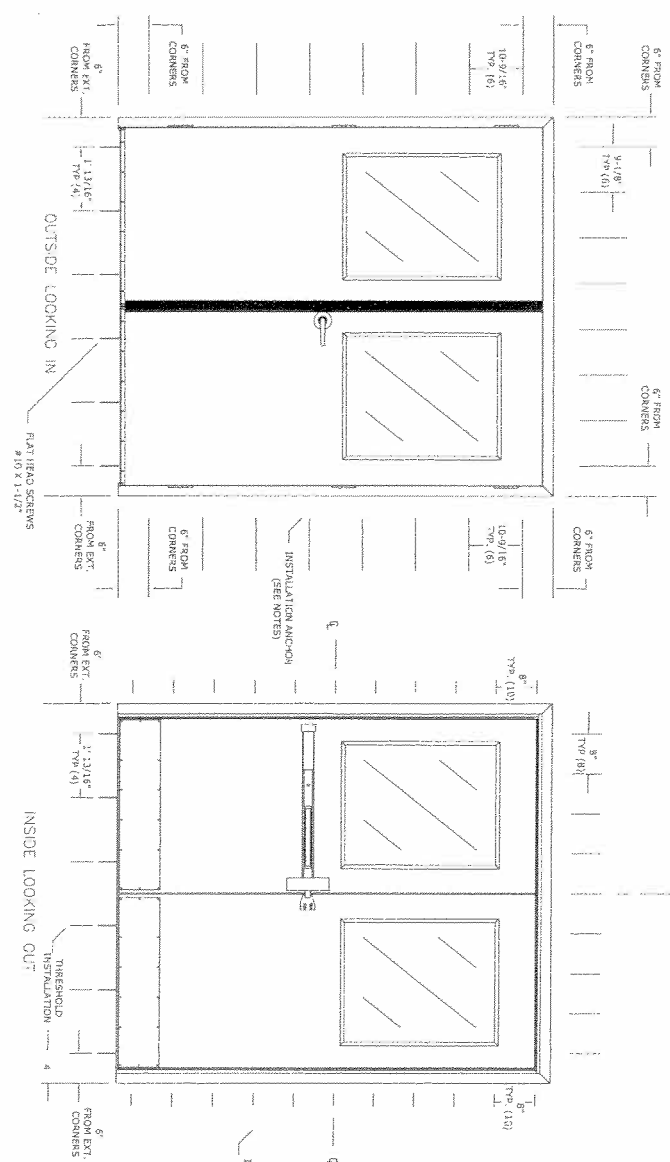
SEAL  
APR 30 2009

**CHEM-PRUF**

P.O. BOX 4560 BROWNSVILLE, TX 77823  
1-800-444-8924 / FAX: (956) 544-7943  
www.chem-pruf.com

PROJECT # 66795  
PHARMACEUTICAL DOORS  
ELEVATIONS AND GENERAL NOTES

DWG. NO.: FBC TEST 66795 PAGE: 1 OF 7  
SCALE: DWN BY REV. # DATE  
N.T.S. E.J.C. 1 12/09/08



EXTERIOR VIEW  
FIBERGLASS PHARMACEUTICAL OUTSWING DOUBLE DOOR

INTERIOR VIEW  
FIBERGLASS PHARMACEUTICAL OUTSWING DOUBLE DOOR

**ANCHORING INSTALLATION**

**ANCHORING NOTES:**  
 1. SET FRAME WITH SPLICED ANCHORS FIELD DRILL 1/4" HOLE INTO FRAME AND CEILING. SET ANCHORS TO THE 90 DEGREE, SO ANCHOR WILL BE FLUSH WITH FRAME. PLACE ANCHORS TO THE 90 DEGREE TO THE STRUCTURE. USE DESIRED METHOD A) OR B) FOR CONCRETE.  
 2. RECOMMENDED METHOD C) FOR CONCRETE.  
 3. RABBIT ANCHORS - FIELD DRILL 1/4" HOLE IN BOTH JAMB WITH A 1/2" RABBIT ANCHOR. USE 1/2" ANCHOR PASTE TO SET ANCHORS.  
 4. WITH A 1/2" RABBIT ANCHOR. USE 1/2" ANCHOR PASTE TO SET ANCHORS.  
 5. WITH A 1/2" RABBIT ANCHOR. USE 1/2" ANCHOR PASTE TO SET ANCHORS.  
 6. WITH A 1/2" RABBIT ANCHOR. USE 1/2" ANCHOR PASTE TO SET ANCHORS.  
 7. WITH A 1/2" RABBIT ANCHOR. USE 1/2" ANCHOR PASTE TO SET ANCHORS.  
 8. WITH A 1/2" RABBIT ANCHOR. USE 1/2" ANCHOR PASTE TO SET ANCHORS.  
 9. WITH A 1/2" RABBIT ANCHOR. USE 1/2" ANCHOR PASTE TO SET ANCHORS.  
 10. WITH A 1/2" RABBIT ANCHOR. USE 1/2" ANCHOR PASTE TO SET ANCHORS.  
 11. WITH A 1/2" RABBIT ANCHOR. USE 1/2" ANCHOR PASTE TO SET ANCHORS.  
 12. WITH A 1/2" RABBIT ANCHOR. USE 1/2" ANCHOR PASTE TO SET ANCHORS.

2. ALL INSTALLATION ANCHORS MUST BE MADE OF CORROSIVE RESISTANT MATERIAL

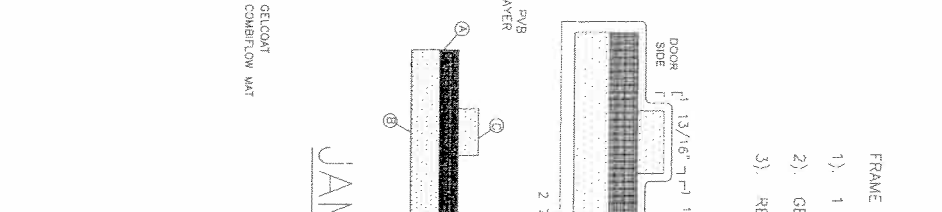
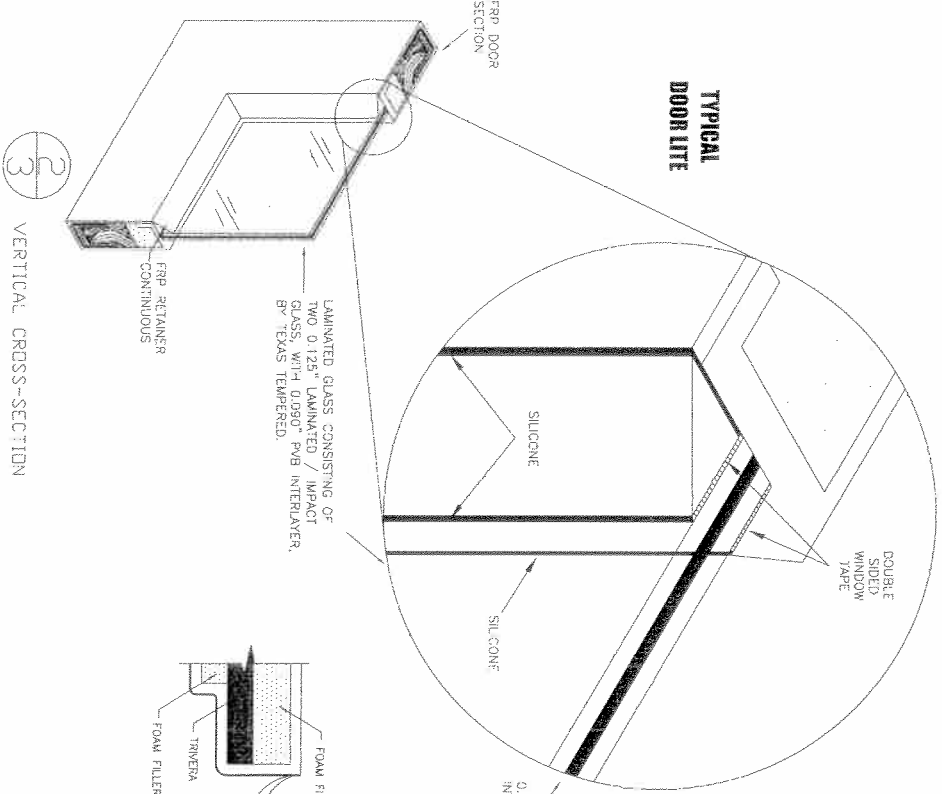
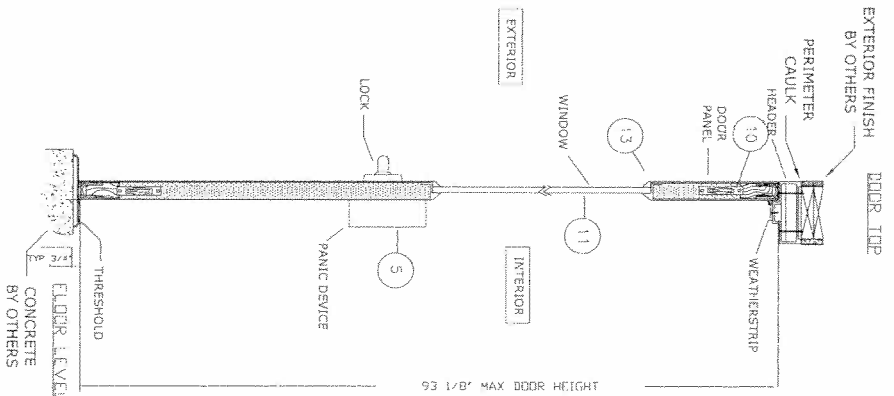
**WEATHERSTRIP & THRESHOLD INSTALLATION**

ITEM	DESCRIPTION
1	2" FRAME JAMB 5-3/4" THICK
2	A) 5 1/4" x 3/8" TRIVERA. B) 5 1/4" x 1" FOAM FILLER.
3	C) 1 1/2" x 5/8" FOAM FILLER. D) WINDOW, FRP CP 24X30 PHARM ASTRAGAL, FIBERGLASS CP--A WITH SEAL A) STANDARD GELCOAT B) FRP ASTRAGAL
4	HINGE, FM STAN FBR 199 5 X 4.5 NRP USS32D
5	PANIC DEVICE SGT 8813 ETU HC- US 32D
6	KICKPLATE TRIMCO B34 304SS .050 US32D
7	THRESHOLD, PANIC TYPE NCP 896 V AL
8	WEATHERSTRIP, ZERO 328 A
9	DOOR BOTTOM ZERO 328 A
10	FLUSH BOLT, (UL) MANUAL WES FB 458 17" US26D
11	WINDOW GLASS 24" X 30" 5/16" TAM SAFETY PLUS 2
12	CHEW-PRUF FRP 300R A) RESIN TREATED WOOD B) POLYURETHANE FOAM C) CHOPPED STRAND FIBERGLASS MAT D) WOODY BOWING
13	PREMIER CALK
14	2" HEADER 5-3/4" THICK A) 5 1/4" x 3/8" TRIVERA. B) 5 1/4" x 1" FOAM FILLER. C) 1 1/2" x 5/8" FOAM FILLER.

SCOTTWOLLERS  
 FL PH# 62354  
 WOLLTERS ENGINEERING  
 (COA# 27194)  
 372 BUCHANAN #807  
 HOLLYWOOD FL 33019  
 PH# FAX: (954) 921-5828  
 APR 30 2008  
 SEAN  
 Scott Wollers

**ATHEM & PRUF**  
 P.O. BOX 4560 BROWNSVILLE, TX 77823  
 1-800-444-6924 / FAX: (956) 544-7943  
 www.chem-pruf.com  
 PROJECT Q# 66795  
 PHARMACEUTICAL DOORS  
 ANCHORING INSTALLATION & BOM  
 DWG. NO.: FBC TEST 66795 PAGE: 2 OF 7  
 SCALE: DWN BY REV. # DATE  
 N.T.S. E.J.G. 12/09/08

FOR FBC USE:



- FRAME CONSTRUCTION
- 1) 1 LAYER COMBIFLO MAT.
  - 2) GELCOAT 25 MILLS.
  - 3) RESIN WITH FILLER.

- CORE DIMENSIONS
- A) 5 1/4" x 3/8" TRIVERA.
  - B) 5 1/4" x 1" FOAM FILLER.
  - C) 1 1/2" x 5/8" FOAM FILLER.

SCOTT WOLTERS  
 FL. PE# 02334  
 WOLTERS ENGINEERING  
 (CO.# 27194)  
 322 BUCHANAN #807  
 HOLLYWOOD, FL 33019  
 PH/FAX: (954) 921-5828

SEAL  
*Scott Wolters*  
 APR 30 2009

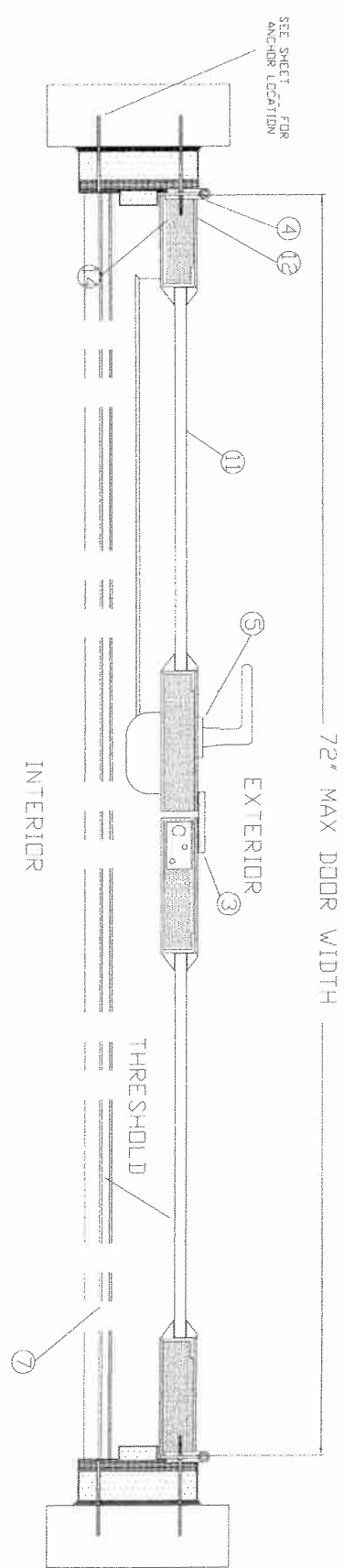
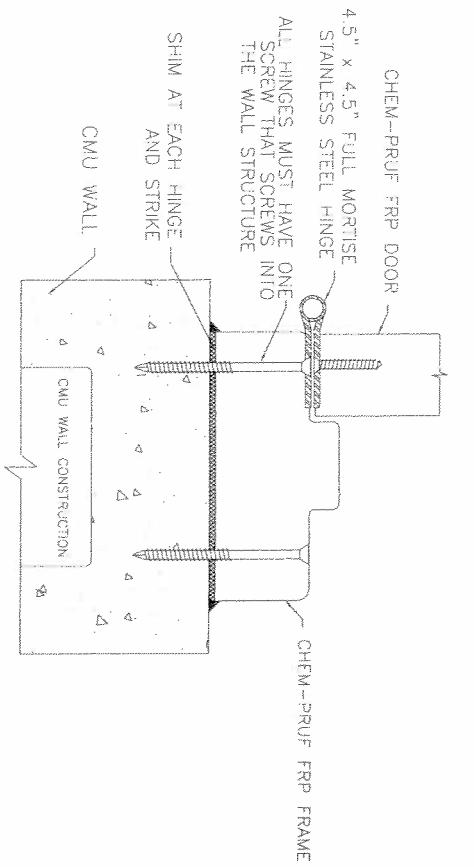
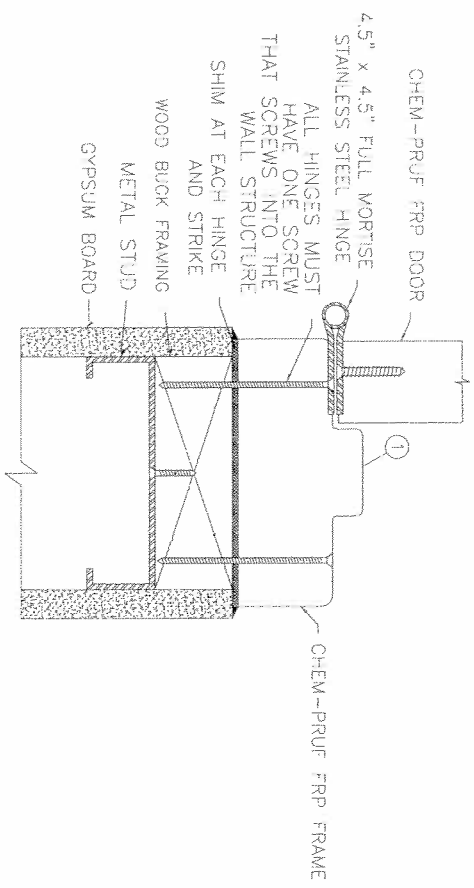
FOR FBC USE:

**CHEM-PROF**

P.O. BOX 4560 BROWNSVILLE, TX 77823  
 1-800-444-6924 / FAX: (956) 544-7943  
 www.chem-prof.com

PROJECT Q# 66795  
 PHARMACEUTICAL DOORS  
 VERTICAL CROSS SECTIONS

DWG. NO.: FBC 1E51 66795 PAGE: 3 OF 7  
 SCALE: DWN BY REV. # DATE  
 N.T.S. E.J.G. 1 12/09/06



①  
HORIZONTAL CROSS-SECTION

SCOTT WOLTERS  
FL PER# 82394  
WOLTERS ENGINEERING  
(COA# 27194)  
322 BUCHANAN #807  
HOLLYWOOD, FL 33019  
PH/FAX: (954) 921-9828

SEAL  
Scott Wolters  
APR 30 2009

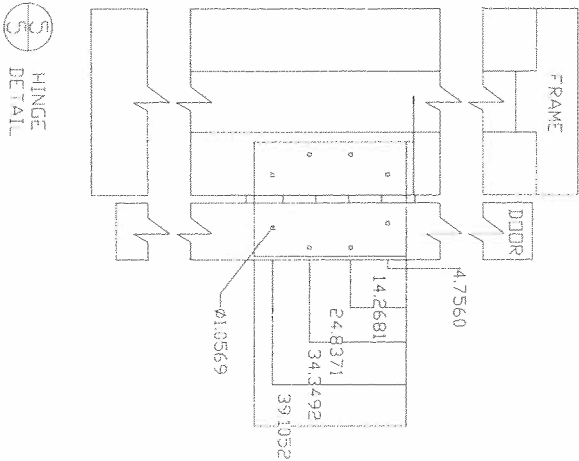
FOR FBC USE:

P.O. BOX 4560 BROWNSVILLE, TX 78523  
1-800-444-6924 / FAX: (956) 544-7943  
www.chem-pruf.com  
PROJECT Q# 66795  
PHARMACEUTICAL DOORS  
HORIZONTAL CROSS SECTIONS

DWG. NO.: FBC TEST 66795 PAGE: 4 OF 7  
SCALE: DWN BY REV. # DATE  
N.T.S. E.J.G. 1 12/09/08

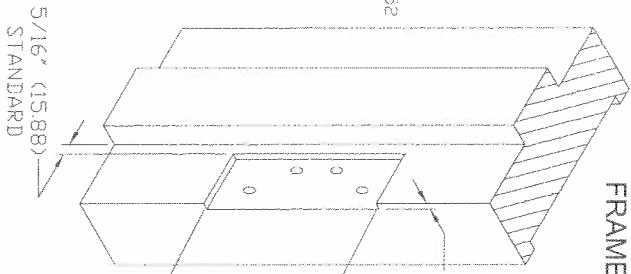
**HINGE POCKET PREPARATION**

CHEM-PRUF® STANDARD



4

**FRAME HINGE RABBET**

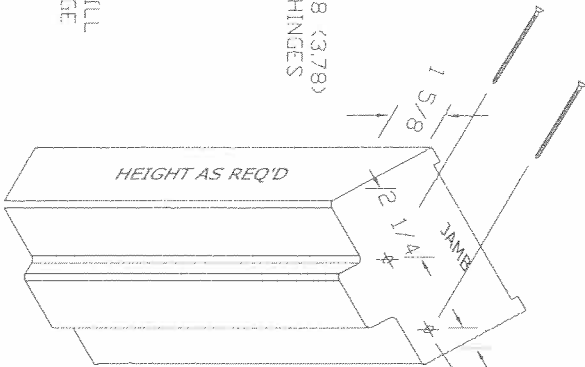


5/16" (15.88)  
STANDARD

SIZE AND PILET DRILL PER TEMPLATE HINGE SPECIFIED (TYP)

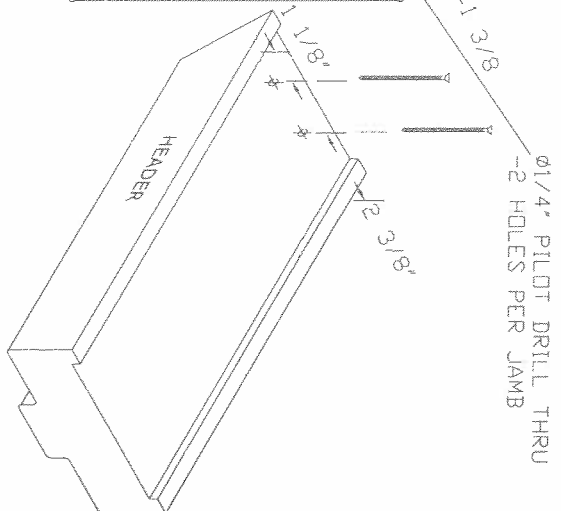
FRAME MORTISED 0.148 (3.78) FOR HEAVY WEIGHT HINGES

HEADER AND JAMBS ARE ATTACHED USING #10 x 2 1/2" FLAT HEAD PHILIPS SCREWS



3

**FRAME CORNER ASSEMBLY**

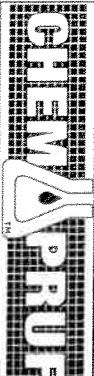


-2 HOLES PER JAMB  
 $\phi 1/4$  PILET DRILL THRU

SCOTT WOLTERS  
FL PE# 62384  
WOLTERS ENGINEERING  
(COA# 27194)  
322 BUCHANAN #807  
HOLLYWOOD, FL 33019  
PH/FAX: (954) 821-5828

SEAL  
APR 30 2009

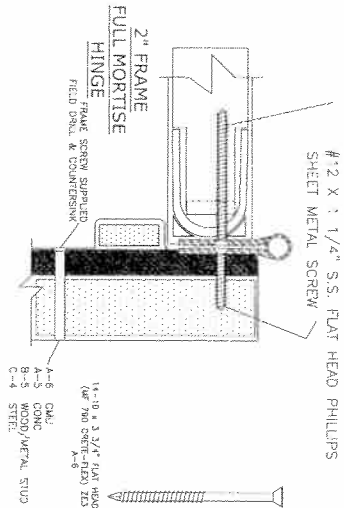
FOR FBC USE:



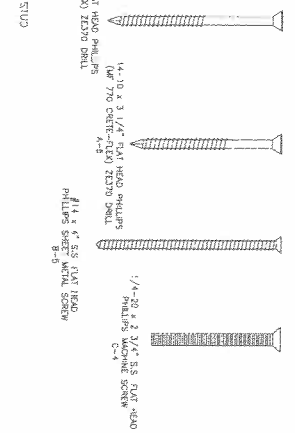
P.O. BOX 4560 BROWNSVILLE, TX 77823  
1-800-444-6924 / FAX: (956) 544-7943  
www.chem-pruf.com

PROJECT Q# 66795  
PHARMACEUTICAL DOORS  
FRAME CORNER ASSEMBLY  
DWG. NO.: FBC TEST 66795 PAGE: 5 OF 7  
SCALE: DWN BY REV. # DATE  
N.T.S. E.J.G. 1 12/09/05

#12 x 3" S.S. FLAT HEAD PHILLIPS SHEET METAL SCREW



#14 x 2 1/2" S.S. FLAT HEAD PHILLIPS SHEET METAL SCREW



**FASTENER SCHEDULE**

	WOOD	CONCRETE	METAL
FASTENER TYPE	FLAT HEAD PHILLIPS SS WOOD SCREW	FLAT HEAD PHILLIPS (W/ 770 CRE-TE-FLEX) ZC375 DRILL	FLAT HEAD PHILLIPS SS MACHINE SCREW
FASTENER SIZE	#14 X 4"	14-10 X 3 1/4"	1/4-2 X 2 3/4"
MINIMUM EMBEDMENT	1 3/4"	1 3/4"	3/4"
MINIMUM EDGE DIST	1 1/4"	2 1/2"	3/4"

FRP PLATE: MINIMUM OF THREE (3) LAYERS CHOPPED STRAND 1-1/2 oz./sq. FIBERGLASS MAT AND ONE (1) LAYER OF WOVEN ROVING 18 oz./sq. SATURATED WITH RESINS

POLYURETHANE FOAM, MIN. DENSITY OF 8 POUNDS PER CUBIC FOOT

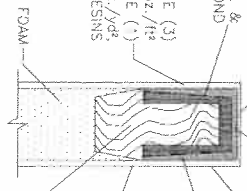
25 ML GELCOAT

ONE-PIECE MOLDED U-SHAPED CROSS SECTION, MINIMUM THREE (3) LAYERS OF CONTINUOUS STRAND FIBERGLASS MAT SATURATED WITH RESINS

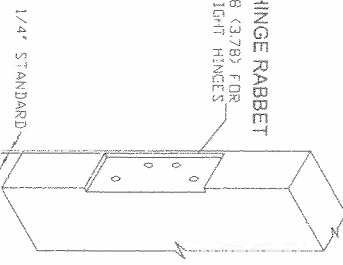
FRP PLATE

RESIN TREATED WOOD COMPRESSION MEMBER

CHEM-PRUF® FRP ONE PIECE STILE & RAIL DETAIL - STORM DOOR



DOOR HINGE RABBET  
DOOR MORTISED 0148 (3/78) FOR  
HEAVY WEIGHT HINGES



SCOTT WOLTERS  
FL PE# 62354

WOLTERS ENGINEERING  
(COA# 27194)  
322 BUCHANAN #807  
HOLLWOOD, FL 33019  
PH/FAX: (954) 921-5828

SEAL  
APR 30 2009

FOR FBC USE

**CHEM-PRUF**

P.O. BOX 4560 BROWNSVILLE TX 77823  
1-800-444-8924 / FAX: (956) 544-7943  
www.chem-pruf.com

PROJECT # 66795  
PHARMACEUTICAL DOORS  
FASTENER SCHEDULE

DWG. NO.: FBC TEST 66795 | PAGE: 6 OF 7  
SCALE: DWN BY: REV. #  
N.T.S. E.J.G. 1 12/09/08

**FLUSH BOLT, MANUAL IVES FB 458**

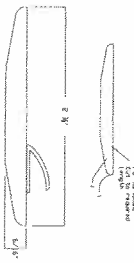
OVERALL SIZE: 1" x 6-3/4"  
 THREAD: 1/16" (3917 & W3917)  
 THREAD: 1/4" (3917E & W3917E)  
 ROD LENGTH: 12" STANDARD  
 MATERIAL: EXTRUDED (3917 & 3917E)  
 (3917-1B)  
 3" BOLT HEAD (3917-3B) IS  
 ALSO AVAILABLE  
 ALL AVAILABLE DESIGNS ARE  
 AVAILABLE IN STAINLESS  
 STEEL  
 THE 3917 & W3917 ARE  
 DL LISTED



**FRP ASTRAGAL**

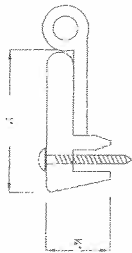
FEATURES AND CERTIFICATIONS  
 . FIBERGLASS DOOR  
 . SWEEP  
 . MANUFACTURED BY CHEM-PROF  
 . CORROSION RESISTANT  
 . COLOR MOLDED IN TO MATCH  
 . DOOR  
 . NEOPRENE LIPPER  
 . SUPPLIED WITH STAINLESS  
 . STEEL FASTENERS

K	DESCRIPTION
1	STANDARD GELCOAT
2	FRP ASTRAGAL



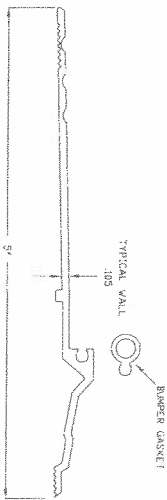
**WEATHERSTRIP & SWEEP**

FEATURES AND CERTIFICATIONS  
 . SOLID STOP SYSTEM  
 . ALUMINUM  
 . NEOPRENE SEAL  
 . SUPPLIED WITH STAINLESS  
 . STEEL FASTENERS



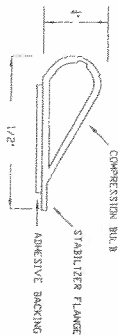
**THRESHOLD**

FEATURES AND CERTIFICATIONS  
 . ALUMINUM FINISH  
 . MEETS THE REQUIREMENTS OF ANSI A156.2  
 . THE BUMPER GASKET IS MADE OF VINYL  
 . AND IS USED TO PROVIDE A SEAL AGAINST  
 . RESISTANCE OF THE THRESHOLD.  
 . RESISTANCE OF THE THRESHOLD.



**ADHESIVE SILICONE SEAL**

FEATURES AND CERTIFICATIONS  
 . ADHESIVE BACKED DOOR GASKET  
 . WEATHERSTRIPPING  
 . BEING COMPRESSED AT 1" AND CAN  
 . OPENING WITH 1/2" GAPS - WILL NOT  
 . LOSE ITS FORM  
 . STAYS FLEXIBLE WELL BELOW -100  
 . DEGREES FARENHEIT AND RELIANT ABOUT  
 . 400 DEGREES FARENHEIT  
 . IMPERVIOUS TO FUNGUS AND MILDEW.



FOR FBC USE:

SCOTT WOLTERS  
 FL PE# 62354  
 WOLTERS ENGINEERING  
 (GDA# 27194)  
 327 BUCHANAN #907  
 HOLLYWOOD, FL 33019  
 PH# FAX (954) 921-5828  
 APR 30 2009  
 SEAL  
 Scott Wolters

**CHEM-PROF**

P.O. BOX 4860 BROWNSVILLE, TX 78523  
 1-800-444-6924 / FAX: (956) 544-7943  
 www.chem-prof.com  
 PROJECT Q# 66795  
 PHARMACEUTICAL DOORS  
 ACCESSORIES

DWG. NO.: FBC TEST 66795 PAGE: 7 OF 7  
 SCALE: DWN BY REV. # DATE  
 N.T.S. E.J.G. 1 04/04/0