



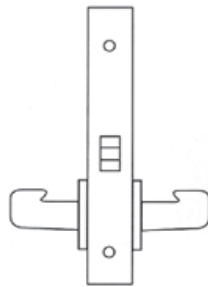
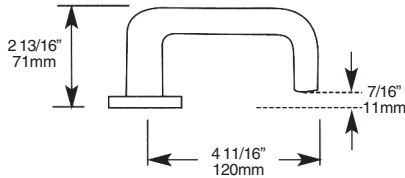
Any Size! Any color! No corrosion/rust!

Chem-Pruf®
 P.O. Box 4560 Brownsville, TX 78523
 Phone: 1-800-444-6924
 Fax: 956/544-7943
 E-mail: info@chem-pruf.com

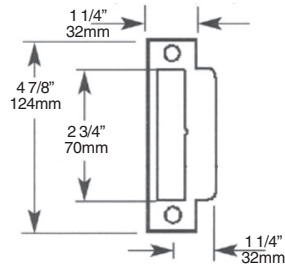
SARGENT

MORTISE PASSAGE SET

8215 LNJ US32D



DOOR FUNCTION
PASSAGE



STANDARD STRIKE



FEATURES & CERTIFICATIONS

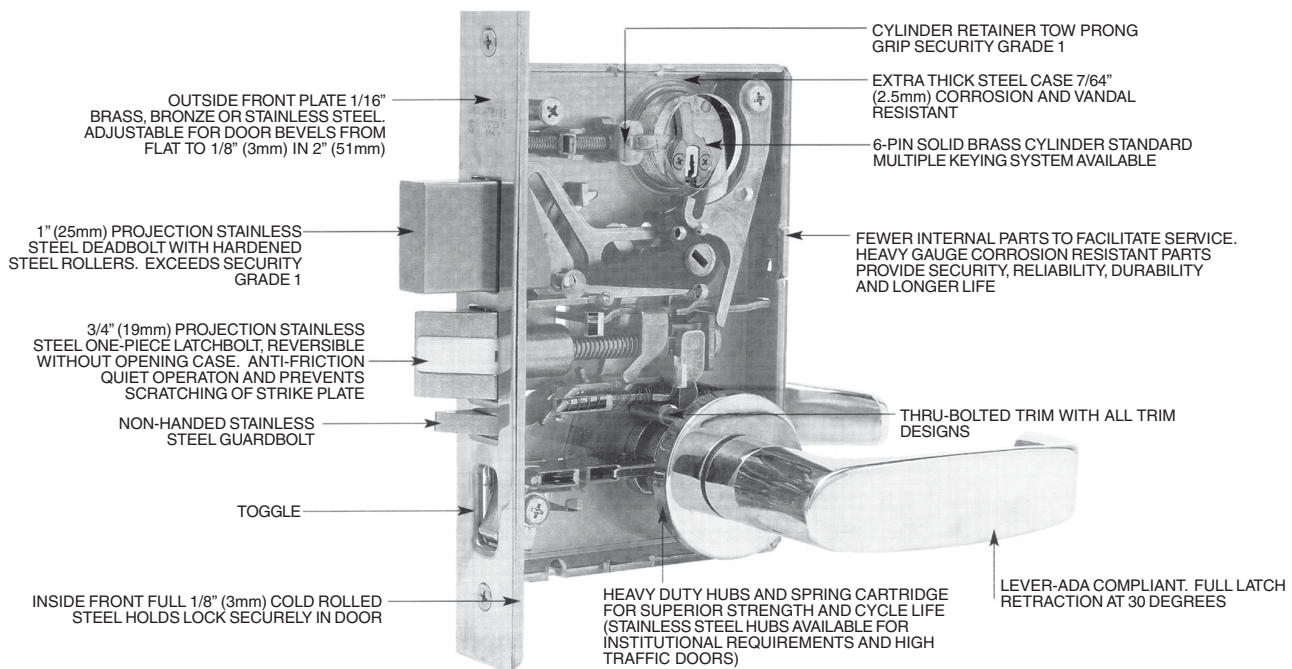
- Non-handed lock, easily re-handed without opening the lockbody.
- Non-hand stainless steel latchbolt one-piece anti-friction design with 3/4" throw.
- Stainless steel deadbolt with 1" projection and hardened steel rollers.
- Lockbody case and cap made of 12 gauge heavy duty steel to resist disformation and vandalism.
- Ansi Meets A156.13 Operational Grade 1 Series 1000 and Security Grade 1 with all standard trims.
- Meets positive pressure requirements UL 10C and UBC 7-2 (1997) Single 4'x10' and double 8'x8'.

TRIM DESIGN & FUNCTION

- LNJ Trim (lever trim)
- Function 15- Latchbolt retracted by either trim.

STRIKE: 82-0111

- Standard strike, curved lip
- Surface applied



FIRE RATED UP TO 90 MINUTES WITH CHEM-PRUF® FIRE DOORS