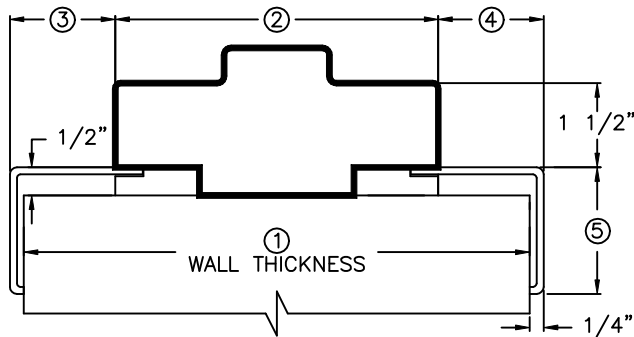


STANDARD STYLE FRAMES

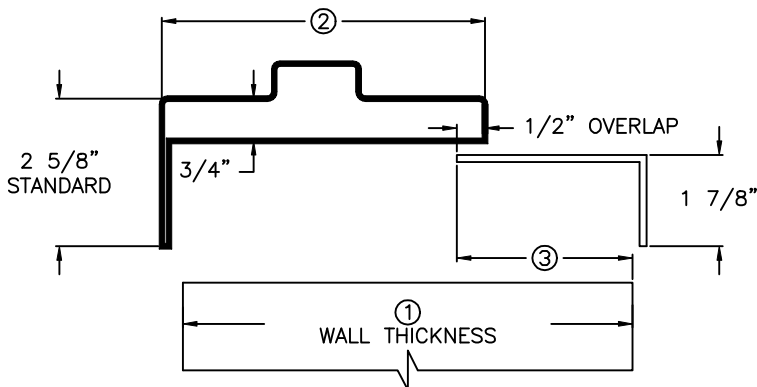


TAG # _____

SPECIFY IN INCHES

- ① _____
- ② 5 3/4" STANDARD
- ③ _____
- ④ _____
- ⑤ 2 1/4" STANDARD
1 1/4" OPTIONAL

STYLE II FRAME ONLY

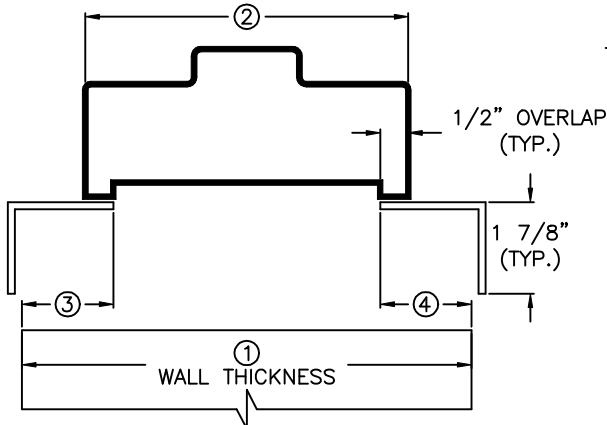


TAG # _____

SPECIFY IN INCHES

- ① _____
- ② 5 3/4" STANDARD
- ③ _____
- ④ 1 7/8" STANDARD

OTHER STYLE FRAMES (OPTIONAL)



TAG #: _____

SPECIFY IN INCHES

- ① _____
- ② 5 3/4" STANDARD
- ③ _____
- ④ _____
- ⑤ 1 7/8" STANDARD

TO BE COMPLETED BY CUSTOMER REQUESTING ANGLE TRIM

BY: _____

DATE: _____

O.K. TO RELEASE MANAGEMENT: _____ DATE: _____
 PRODUCTION: _____ DATE: _____
 COST CONTROL: _____ DATE: _____

NO PART OF THIS DRAWING MAY BE REPRODUCED, STORED IN A RETRIEVAL SYSTEM, OR TRANSMITTED IN ANY FORM OR BY ANY MEANS, ELECTRONIC, MECHANICAL, PHOTOCOPYING, RECORDING OR OTHERWISE, WITHOUT THE PRIOR WRITTEN CONSENT OF CHEM-PRUF® DOOR CO., LTD.

THE DATA CONTAINED IN THIS PUBLICATION IS FOR THE CONFIDENTIAL USE OF THE PURCHASER ONLY. THIS DATA IS NOT TO BE SOLD OR OTHERWISE PROVIDED TO THIRD PARTIES IN ANY FORM.

© COPYRIGHT CHEM-PRUF® DOOR CO., LTD. 2001
 U.S. PATENT #'S 4374693, 4429498, 5072561



P.O. BOX 4560 BROWNSVILLE, TX 78523
 1-800-444-6924 / FAX: (956) 544-7943
 www.chem-pruf.com

FRAME ANGLE TRIM REQUEST SHEET

DWG. NO: ORDER SHEET 2-08		PAGE: 1 OF 1	
SCALE	DWN BY	REV. #	DATE
N.T.S.	JDL	02	03/27/01