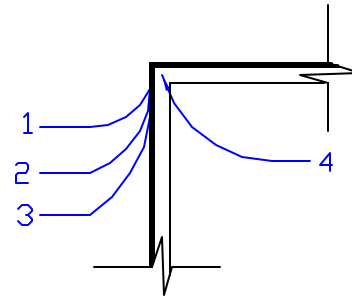
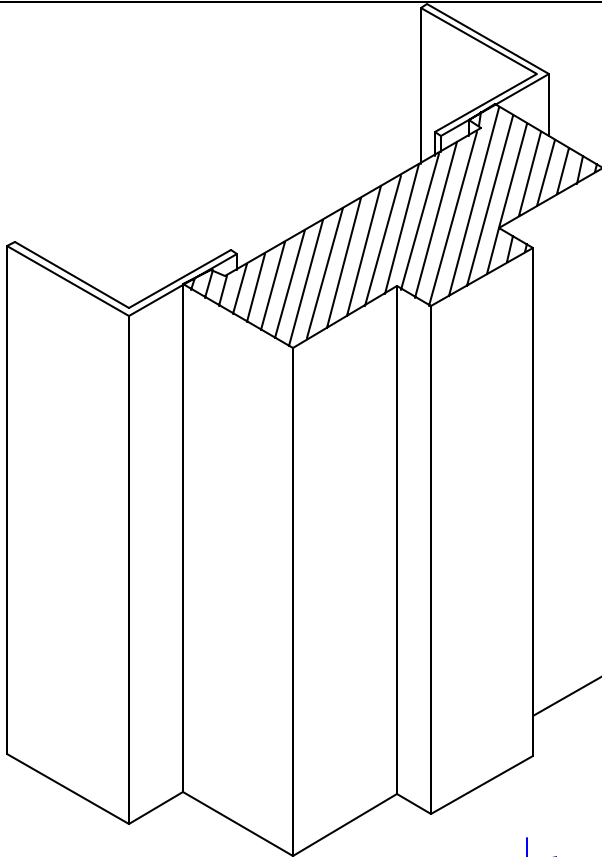
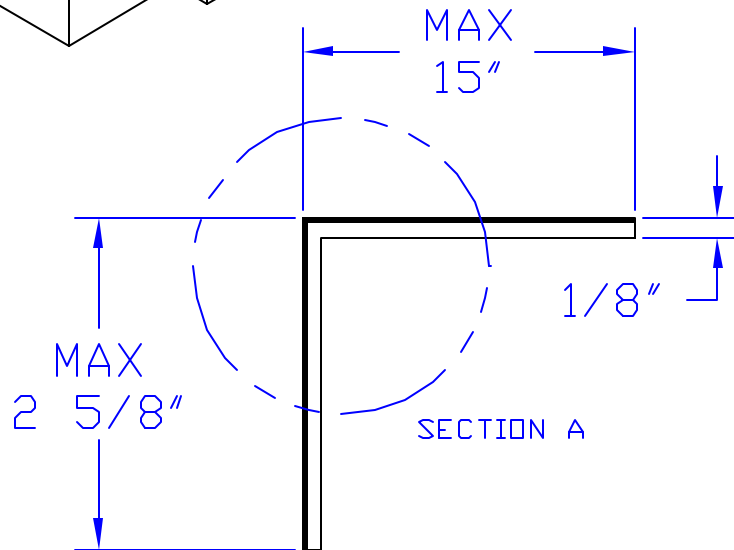


BILL OF MATERIAL	
#	DESCRIPTION
1	STANDARD GELCOAT
2	VEIL
3	MAT REG
4	REGULAR RESIN FORMULA



SECTION A



SECTION A

FRP RIGHT ANGLE TRIM

SPEC: RESIN TRANSFER MOLDED FIBERGLASS RIGHT ANGLE TRIM, COLOR MOLDED IN

D.K. TO RELEASE MANAGEMENT: _____ DATE: _____
 PRODUCTION: _____ DATE: _____
 COST CONTROL: _____ DATE: _____

NO PART OF THIS DRAWING MAY BE REPRODUCED, STORED IN A RETRIEVAL SYSTEM, OR TRANSMITTED IN ANY FORM OR BY ANY MEANS, ELECTRONIC, MECHANICAL, PHOTOCOPYING, RECORDING OR OTHERWISE, WITHOUT THE PRIOR WRITTEN CONSENT OF CHEM-PRUF7DOOR CO., LTD.

THE DATA CONTAINED IN THIS PUBLICATION IS FOR THE CONFIDENTIAL USE OF THE PURCHASER ONLY. THIS DATA IS NOT TO BE SOLD OR OTHERWISE PROVIDED TO THIRD PARTIES IN ANY FORM.

© COPYRIGHT CHEM-PRUF7DOOR CO., LTD. 1998
 U.S. PATENT #'S 4374693, 4429498, 5072561



P.O. BOX 4560 BROWNSVILLE, TX 78523
 1-800-444-6924 / FAX: (956) 544-7943

FRP RIGHT ANGLE TRIM

DWG. NO.: 1-233

SCALE	DWN BY	REV. #	DATE
5/8"=1"	J.D.L	01	12/01/99