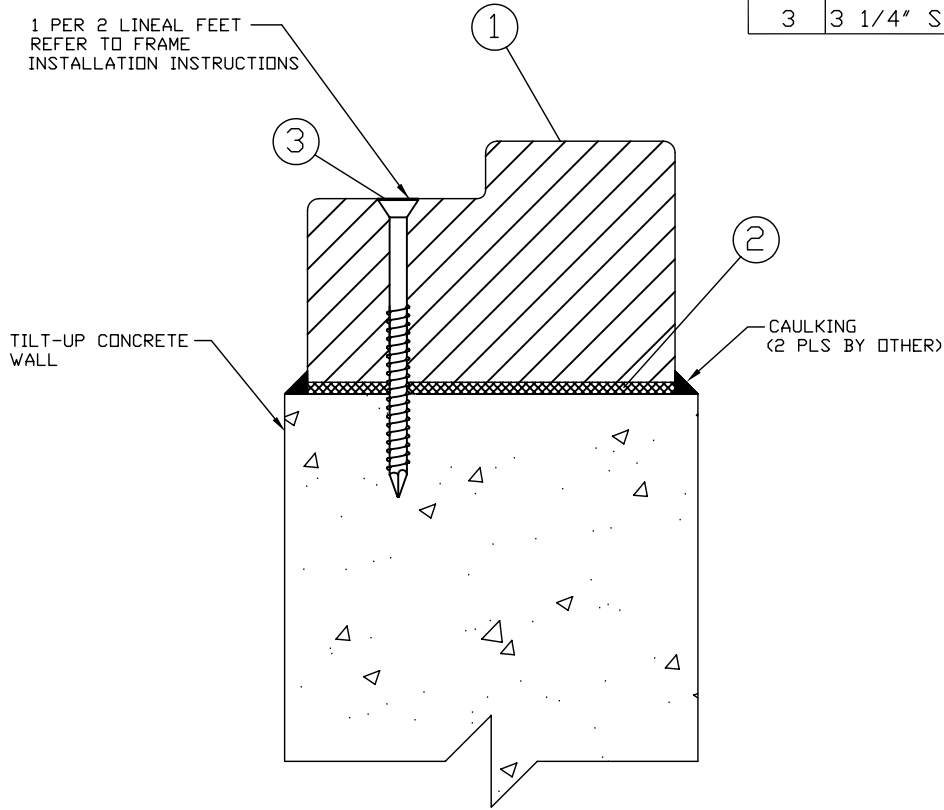


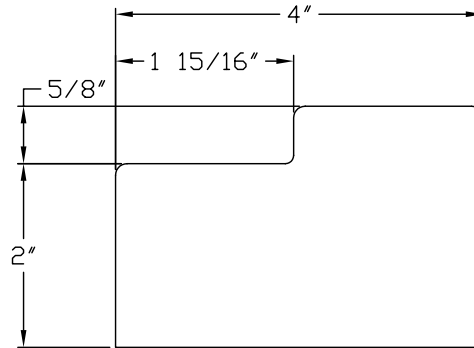
STYLE 4.4 (2" x 4" FRAME) CONCRETE WALL

BILL OF MATERIAL	
#	DESCRIPTION
1	STYLE 4 FRAME
2	BONDING MATERIAL
3	3 1/4" S.S. CRETE-FLEX



SPEC: RESIN TRANSFER MOLDED FIBERGLASS FRAME STYLE 4.4",
COLOR MOLDED IN, NWPF REINFORCEMENT

PROFILE DIMENSIONS



O.K. TO RELEASE MANAGEMENT: _____ DATE: _____
 PRODUCTION: _____ DATE: _____
 COST CONTROL: _____ DATE: _____

NO PART OF THIS DRAWING MAY BE REPRODUCED, STORED IN A RETRIEVAL SYSTEM, OR TRANSMITTED IN ANY FORM OR BY ANY MEANS, ELECTRONIC, MECHANICAL, PHOTOCOPYING, RECORDING OR OTHERWISE, WITHOUT THE PRIOR WRITTEN CONSENT OF CHEM-PRUF® DOOR CO., LTD.

THE DATA CONTAINED IN THIS PUBLICATION IS FOR THE CONFIDENTIAL USE OF THE PURCHASER ONLY. THIS DATA IS NOT TO BE SOLD OR OTHERWISE PROVIDED TO THIRD PARTIES IN ANY FORM.

© COPYRIGHT CHEM-PRUF® DOOR CO., LTD. 2001
 U.S. PATENT #'S 4374693, 4429498, 5072561



P.O. BOX 4560 BROWNSVILLE, TX 78523
 1-800-444-6924 / FAX: (956) 544-7943
 www.chem-pruf.com

STYLE 4 (2" x 4" FRAME)

DWG. NO:	STD 3-215	PAGE:	1 OF 1
SCALE	DWN BY	REV. #	DATE
N.T.S.	NT	1	03/18/05